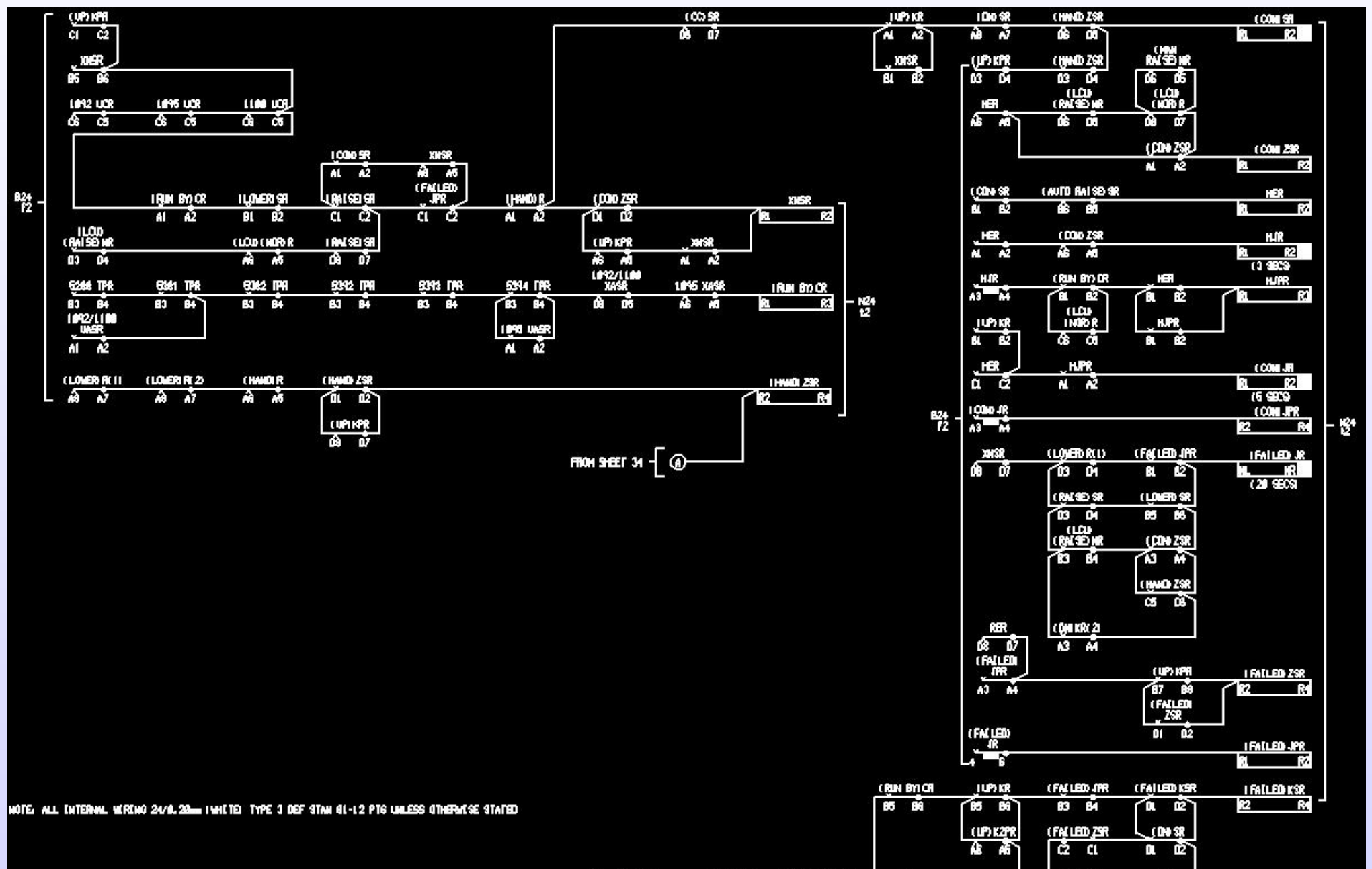


signalling solutions



GWIRE 6.0



CAD Software for Graphical Wiring
Diagram Production
Compliant with MicroStation V8
[2004]

GWIRE 6.0 CAD Software

GWIRE is our CAD Product enabling quick and easy Signalling circuit design to high standards and consistency.

It is a 'Plug-in' to Bentley MicroStation.

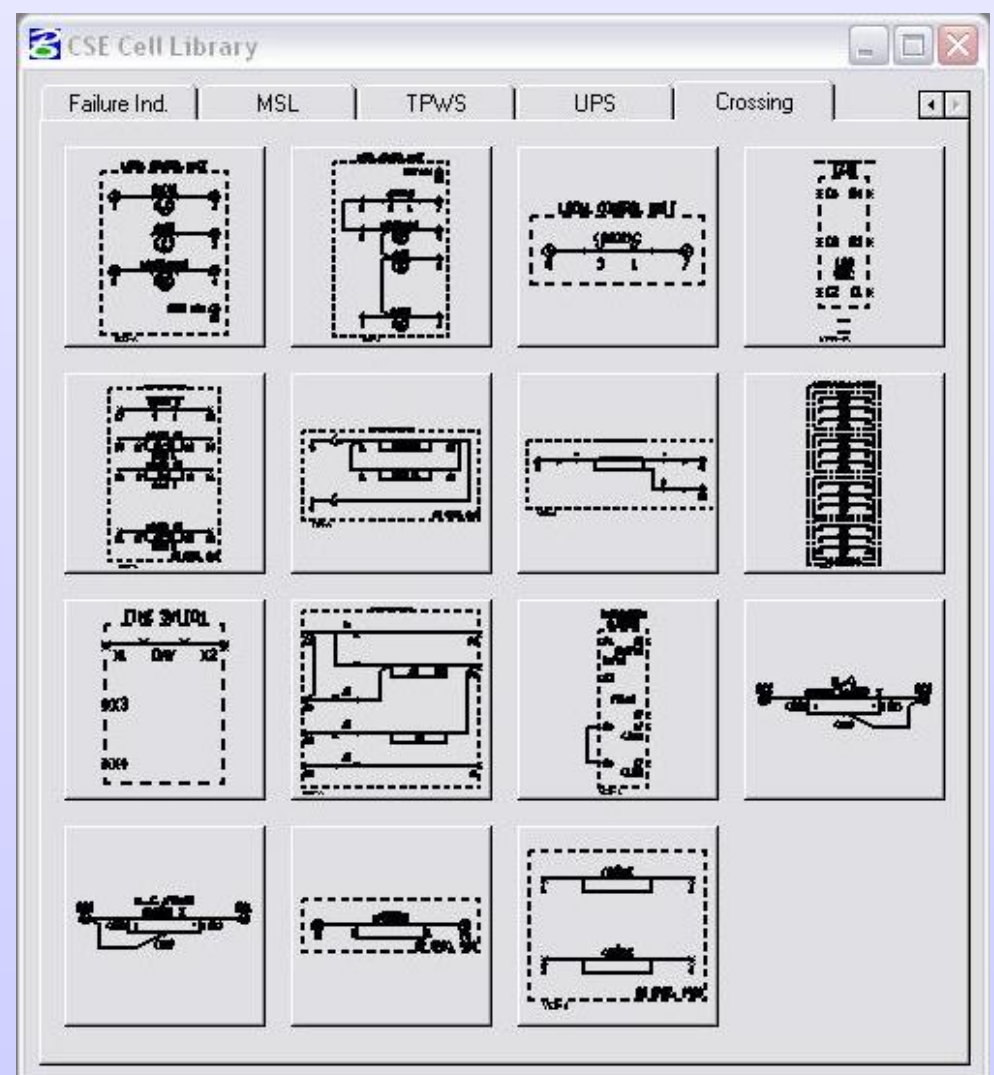
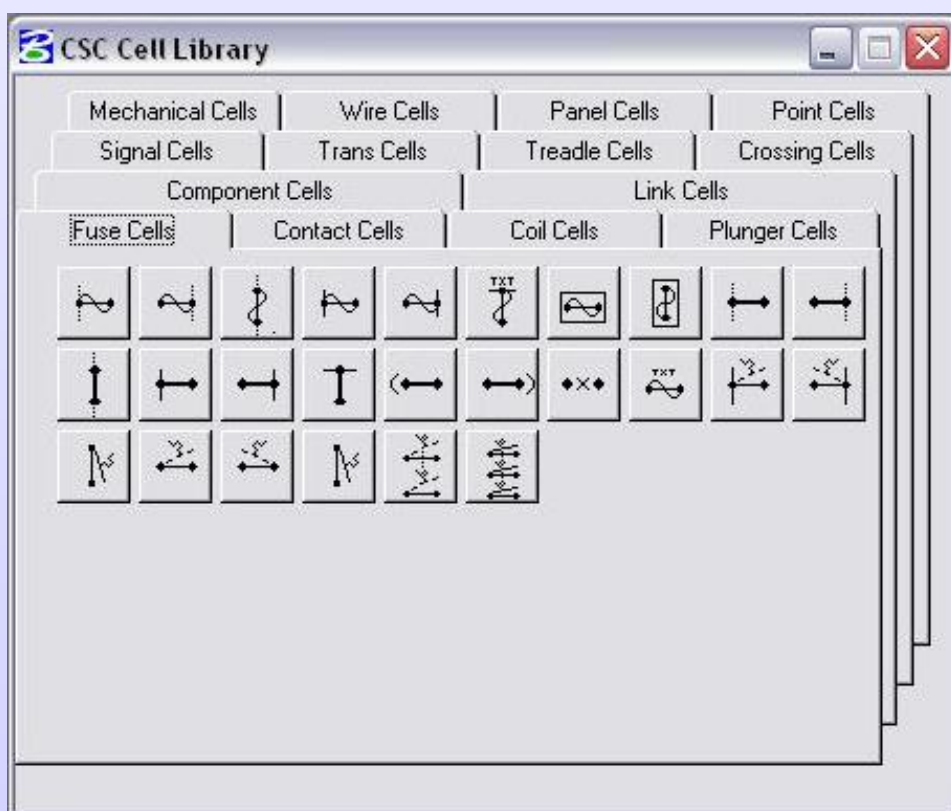
Features

- **GWIRE software retains the look and feel of MicroStation so training is at a minimum**
- **GWIRE is fully compliant with Network Rail Company Code of Practice NR/GN/SIG/11205 & NR/L2/SIG/30004**
- **GWIRE can be installed on all Windows Platforms including XP and is compatible with MicroStation version 8 (including 2004 edition)**
- **Contains the new Network Rail cell libraries—CSC [component] and CSE [equipment]**
- **Easily change components, wires and data fields from current to recovered [green] or new [red]**
- **Quick and easy wiring between components**
- **Maintains standard MicroStation levels compliant with NRG requirements**
- **Contains Network Rails standard border templates— A0 to A4**

- Use of the software enforces consistent drawing standards
- User reference documentation is supplied with the Software

The current GWIRE software contains a cell libraries based on Network Rail's requirements (our largest customer).

Signalling Solutions will be happy to discuss requirements for adding other Railway Authority cells and illustrations where required.



Support

- **After the initial purchase the license is bought on an annual basis, which includes maintenance and technical support via telephone and email.**
- **Discount available for bulk licence purchases**
- **Updates to the software and symbols are provided free within the maintenance agreement**

For more Information please contact:-

CAD Products

Signalling Solutions Limited

Room B009, Midland House

Nelson Street,

Derby, DE1 2SA

Telephone 01332 264242

Fax 01332 264240